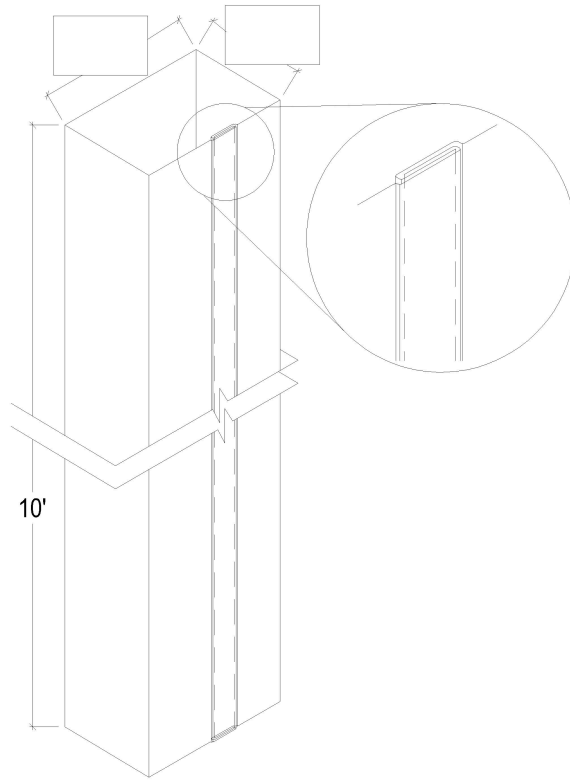


# TSM Tapered Leader



- Straps and fasteners NOT provided.

## QUANTITIES:

Lineal Feet (10'-0" Lengths): \_\_\_\_\_

"A" 45° Elbows: \_\_\_\_\_

"B" 45° Elbows: \_\_\_\_\_

"A" 90° Elbows: \_\_\_\_\_

"B" 90° Elbows: \_\_\_\_\_

## PRINT APPROVAL:

Architect and/or Contractor shall verify all dimensions, sizes, and quantities. All products to be installed in strict accordance with Drexel's printed instructions.

Approved By: \_\_\_\_\_

Date: \_\_\_\_\_

PROJECT: \_\_\_\_\_

ARCHITECT: \_\_\_\_\_

ROOFING CONTRACTOR: \_\_\_\_\_

REPRESENTATIVE: \_\_\_\_\_

## MATERIAL:

24GA     .040" AL

Other: \_\_\_\_\_

Finish: \_\_\_\_\_

Color: \_\_\_\_\_

Effective Date: 8/8/17

Drawn By: B.Z.M.

Approved By: R.A.



41 North Lawn Ave / Elmsford, NY 10523

Ph. 914-347-8157

Fax 914-347-8191

web: [www.tsmny.com](http://www.tsmny.com)

email: [sales@tsmny.com](mailto:sales@tsmny.com)

*Our Shop is Your Shop!*