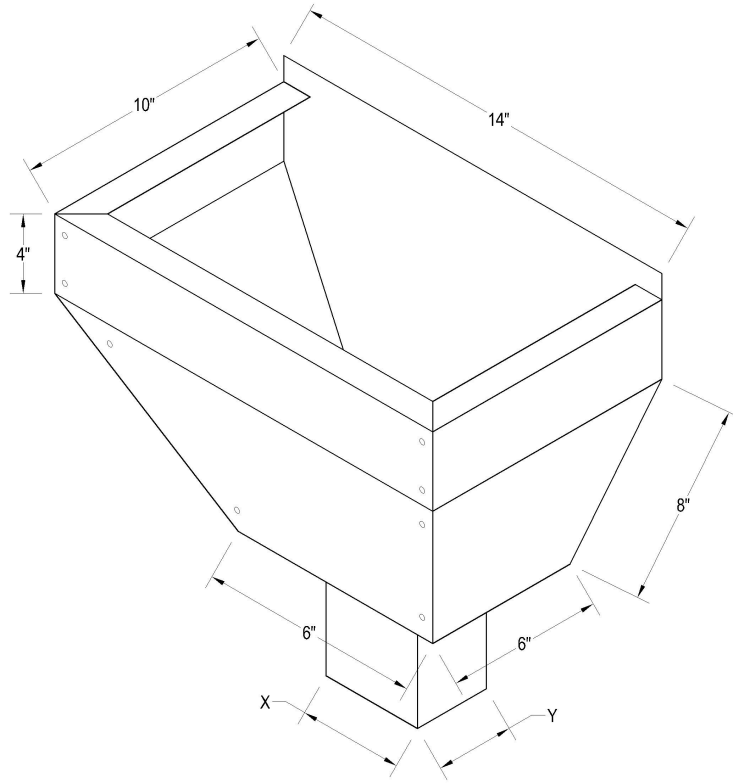


TSM Leader Head



- Straps and fasteners NOT provided.

QUANTITIES:

Each: _____

Round Outlet Tube Size: _____ in

Square Outlet Tube Sizes:

_____ in X _____ in

PRINT APPROVAL:

Architect and/or Contractor shall verify all dimensions, sizes, and quantities. All products to be installed in strict accordance with Drexel's printed instructions.

Approved By: _____

Date: _____

PROJECT:

ARCHITECT:

ROOFING CONTRACTOR:

REPRESENTATIVE:

MATERIAL:

24GA .040" AL
 Other: _____

Finish: _____

Color: _____

Effective Date: 8/8/17

Drawn By: B.Z.M.

Approved By: R.A.



41 North Lawn Ave / Elmsford, NY 10523
 Ph. 914-347-8157
 Fax 914-347-8191
 web: www.tsmny.com
 email: sales@tsmny.com

Our Shop is Your Shop!